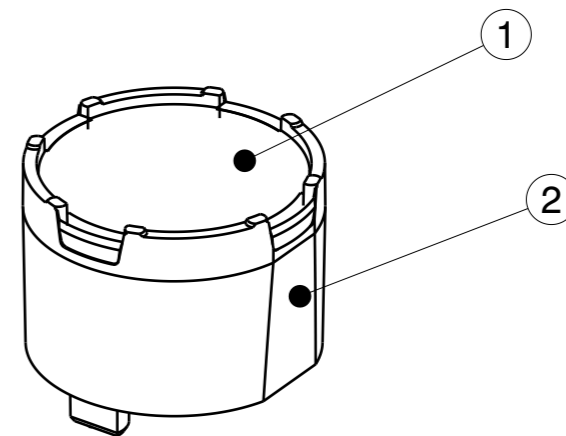
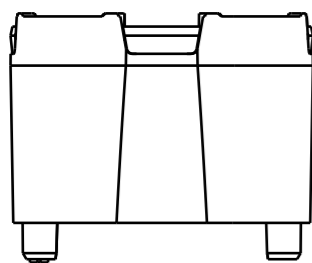


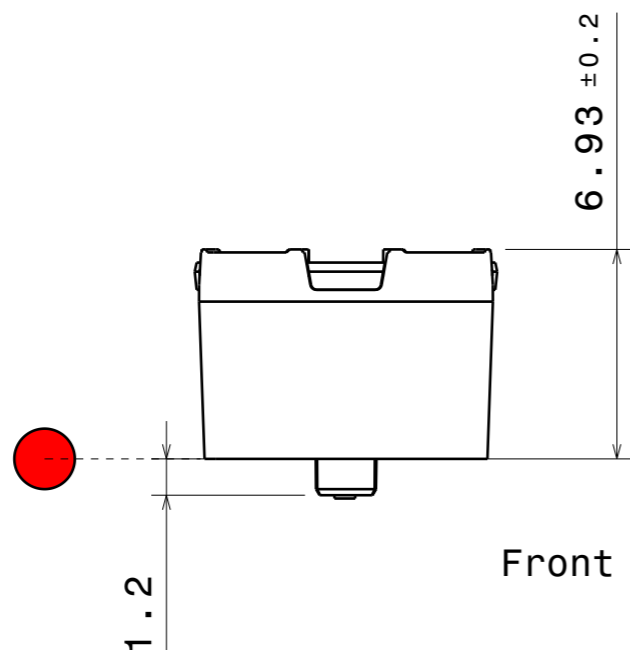
Bottom View



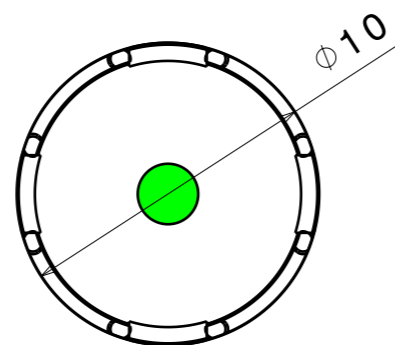
Isometric View



Right View



Front View



Top View

FP165xx\_LISA3-x-PIN

COMPONENTS

INDEX	PART	TYPE	COUNT	MATERIAL	COLOR / COATING
1	F16551_LISA3-RS	LENS	1	PMMA	clear
	F16552_LISA3-M	LENS	1	PMMA	clear
	F16553_LISA3-W	LENS	1	PMMA	clear
	F16554_LISA3-WW	LENS	1	PMMA	clear
	F16555_LISA3-WWW	LENS	1	PMMA	clear
	F16556_LISA3-O	LENS	1	PMMA	clear
2	F16557_LISA3-HLD-PIN	HOLDER	1	PC	black

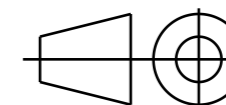
MECHANICAL DRAWING

PRODUCT  
**LISA3**

**LEDiL**

Plastic moulding general tolerances according to DIN 16901-130 and applies if not otherwise shown in the drawing. Silicone moulding general tolerances according to ISO 3302-1 Class M3 and applies if not otherwise shown in the drawing.

FIRST ANGLE PROJECTION:



This drawing is the property of LEDiL Oy. It may not be copied or otherwise distributed without prior written permission from LEDiL Oy.

SCALE 4:1

WEIGHT -

A3 SHEET 1/1

Notes

PCB or heatsink level.
LED location
Ensure LED fitting from a product specific 3D model available from <a href="http://www.ledil.com">www.ledil.com</a>
For more details about installation please see LEDiL Installation Guide on <a href="http://www.ledil.com">www.ledil.com</a>